

Memory Synthesis for FPGA Implementation of Real-Time Video Processing Systems

Najeem Lawal

Electronics Design Division,
Information Technology and Media
Mid Sweden University,
SE-851 70 Sundsvall,
Sweden



Sundsvall 2009
ISBN 978-91-86073-26-8

Akademisk avhandling som med tillstånd av Mittuniversitetet i Sundsvall framläggs till offentlig granskning för avläggande av teknologie doktors examen i elektronik onsdagen den 07 Jan 2009, klockan 13:15 i sal M102, Mittuniversitetet Sundsvall. Seminariet kommer att hållas på engelska.

Abstract

In this thesis, a method and a tool to enable efficient memory synthesis for real-time video processing systems on field programmable logic array are presented. In real-time video processing system (RTVPS), a set of operations are repetitively performed on every image frame in a video stream. These operations are usually computationally intensive and, depending on the video resolution, can also be very data transfer dominated. These operations, which often require data from several consecutive frames and many rows of data within each frame, must be performed accurately and under real-time constraints as the results greatly affect the accuracy of application. Application domains of these systems include machine vision, object recognition and tracking, visual enhancement and surveillance.

Developments in field programmable gate array (FPGAs) have been the motivation for choosing them as the platform for implementing RTVPS. Essential logic resources required in RTVPS operation are currently available optimized and embedded in modern FPGAs. One such resource is the embedded memory used for data buffering during real-time video processing. Each data buffer corresponds to a row of pixels in a video frame, which is allocated using a synthesis tool that performs the mapping of buffers to embedded memories. This approach has been investigated and proven to be inefficient. An efficient alternative employing resource sharing and allocation width pipelining will be discussed in this thesis.

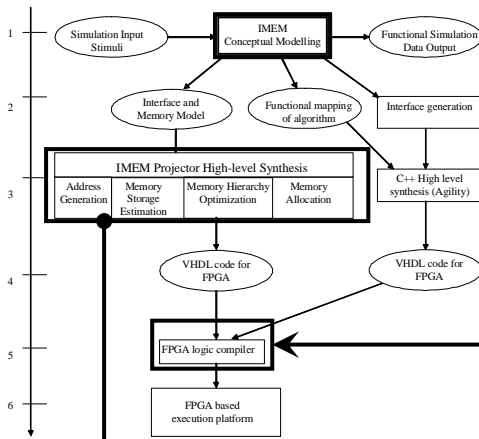
A method for optimised use of these embedded memories and, additionally, a tool supporting automatic generation of hardware descriptions language (HDL) modules for synthesis of the memories according to the developed method are the main focus of this thesis. This method consists of the memory architecture, allocation and addressing. The central objective of this method is optimised use of embedded memories in the process of buffering data on-chip for an RTVPS operation. The developed software tool is an environment for generating HDL codes implementing the memory sub-components.

The tool integrates with the Interface and Memory Modelling (IMEM) tools in such a way that the IMEM's output - the memory requirements of a RTVPS - is imported and processed in order to generate the HDL codes. IMEM is based on the philosophy that the memory requirements of an RTVPS can be modelled and synthesized separately from the development of the core RTVPS algorithm thus freeing the designer to focus on the development of the algorithm while relying on IMEM for the implementation of memory sub-components.

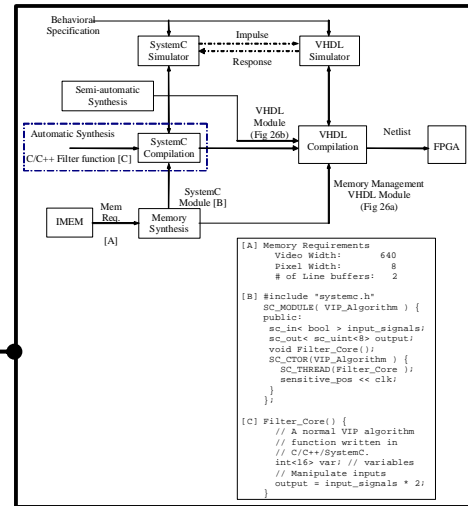
Memory Synthesis for FPGA Implementation of Real-Time Video Processing Systems

Najeem Lawal

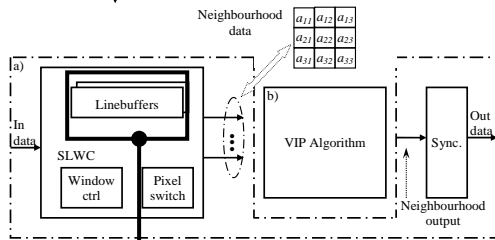
System Synthesis Workflow



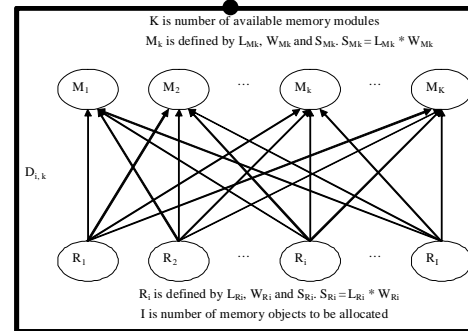
System Integration and Verification



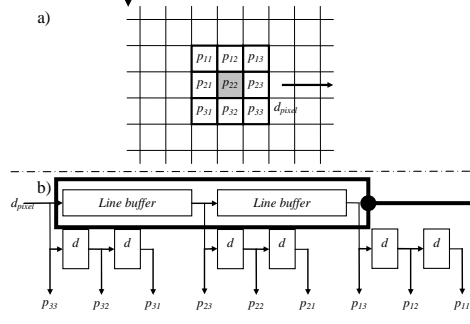
Memory Implementation



Memory Allocation



Memory Requirement



Memory Architecture

